

POSIMATIC

Positioners range



POSIMATIC

The **POSIMATIC** range from 50 kg up to 35 T allows the handling of pieces of varying capacities, to provide significant improvements in productivity, operator ergonomics and quality standards.



P 1E - P 2E

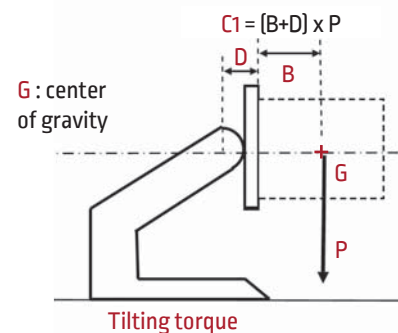
Light range 2 axis
50 to 200 kg



PS 03 to PS 30

Medium range 2 axis
300 to 3 000 kg

	LOAD ALL POSITIONS kg [P]	TILT TORQUE m.Kg [C1]	ROTATION TORQUE m.Kg [C2]	ROTATION SPEED Tr/min	AXIS-PLATE DISTANCE mm [D]
P 1E	50	4,5	2	0,2 to 5	75
P 2E	200	40	4	0,25 to 5	70
PS 03	300	100	35	0,2 to 3	80
PS 08	800	280	120	0,16 to 2,4	148
PS 15	1 500	550	225	0,14 to 1,8	151
PS 30	3 000	1 300	450	0,1 to 1,5	222



- ✓ Digital speed display *(except light range)*
- ✓ Kit auto to synchronize movement and welding
- ✓ Accurated rotation speed



- Confort for the operator
- Eliminate fatigue due to manipulations
- Corrcet welder position avoiding Musculo Skeletal Disorders
- Improve productivity
- Regular quality welding



TP 4 to TP 30

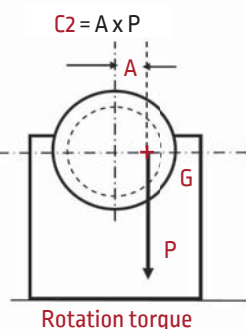
Heavy range 2 axis
4 000 to 30 000 kg

*other capacity and speed available



APS 750 to 35000

Heavy range 3 axis
750 to 35 000 kg



	LOAD ALL POSITIONS kg [P]	TILT TORQUE m.Kg [C1]	ROTATION TORQUE m.Kg [C2]	ROTATION SPEED Tr/min	AXIS-PLATE DISTANCE mm [D]
TP 4	4 000	1 100*	500*	0.045 to 0.45*	160
TP 6	6 000	2 500*	720*	0.03 to 0.3*	175
TP 8	8 000	3 600*	850*	0.025 to 0.25*	175
TP 10	10 000	6 750*	1 450*	0.022 to 0.22*	200
TP 15	15 000	10 300*	2 100*	0.02 to 0.2*	240
TP 20	20 000	14 200*	2 900*	0.018 to 0.18*	270
TP 30	30 000	22 500*	4 400*	0.015 to 0.15*	300
APS 750	750	150	60	0.09 to 2	127
APS 1500	1 500	300	100	0.07 to 1.3	128
APS 3500	3 500	750	280	0.08 to 1.6	171
APS 7000	7 000	1 400	900	0.05 to 1	184
APS 10000	10 000	4 000	1 300	0.04 to 0.75	196
APS 15000	15 000	7 000	1 800	0.04 to 0.75	232
APS 25000	25 000	17 500	4 000	0.02 to 0.4	319
APS 35000	35 000	28 000	5 500	0.02 to 0.4	318

BEING PRESENT LOCALLY MAKES US MORE AWARE GLOBALLY

120+
YEARS OF EXPERIENCE

325+
GLOBAL R&D TEAM



3.0
BILLION USD REVENUE

36
SOLUTION CENTERS

11 000
EMPLOYEES WORLDWIDE

-  Global Headquarters
-  Solution Centers

CUSTOMER ASSISTANCE POLICY

The business of The Lincoln Electric Company® is manufacturing and selling high quality welding equipment, consumables, and cutting equipment. Our challenge is to meet the needs of our customers and to exceed their expectations. On occasion, purchasers may ask Lincoln Electric for information or advice about their use of our products. Our employees respond to inquiries to the best of their ability based on information provided to them by the customers and the knowledge they may have concerning the application. Our employees, however, are not in a position to verify the information provided or to evaluate the engineering requirements for the particular weldment. Accordingly, Lincoln Electric does not warrant or guarantee or assume any liability with respect to such information or advice. Moreover, the provision of such information or advice does not create, expand, or alter any warranty on our products. Any express or implied warranty that might arise from the information or advice, including any implied warranty of merchantability or any warranty of fitness for any customers' particular purpose is specifically disclaimed.

Lincoln Electric is a responsive manufacturer, but the selection and use of specific products sold by Lincoln Electric is solely within the control of, and remains the sole responsibility of the customer. Many variables beyond the control of Lincoln Electric affect the results obtained in applying these types of fabrication methods and service requirements.

Subject to Change – This information is accurate to the best of our knowledge at the time of printing. Please refer to www.lincolnelectric.eu for any updated information.



www.lincolnelectriceurope.com

